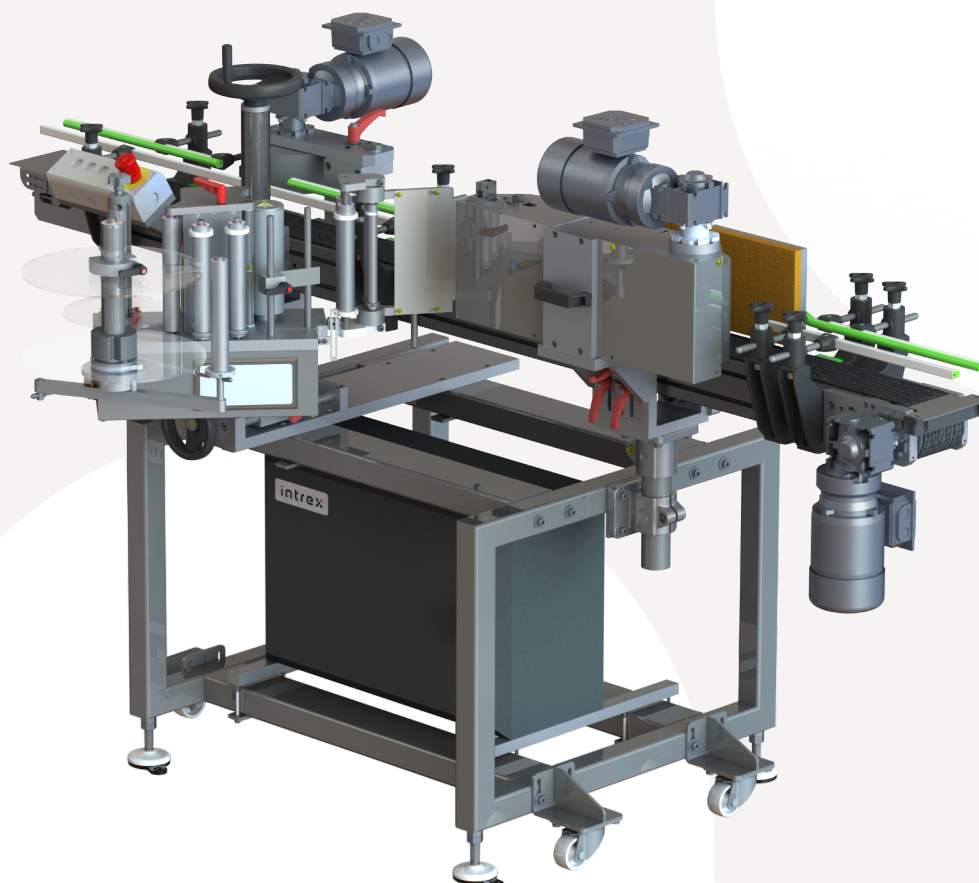


INTREX SET 1001 LABELLING SYSTEM

CYLINDRICAL PRODUCTS WRAP AROUND LABELLING

- Simple solution labelling cylindrical products, such as bottles, cans, jars and more
- Capacity up to 100 products per minute
- Up to 160 mm label height
- Quick and easy changeover
- Possibility to work as a standalone device and as a part of a line
- Compact design and small footprint
- Casters mounted to the frame, for easy machine transportation
- Ink-Jet, thermal transfer printer or laser integration for product coding and marking



The real maximum labelling speed depends on the label, capacity, type of the labelled product and the kind of application.
The label feeding precision depends on the label and the labelled product properties.





PARAMETER

INTREX SET 1001

LABELLING HEAD

INTREX 100 +
90 300

INTREX 100+
160 300

**MAXIMUM LABEL WIDTH
(HEIGHT ON THE
PRODUCT)**

90 mm

160 mm

**MAXIMUM LABEL
ROLL DIAMETER
(UNWINDER)**

300 mm (optional: 350 mm) thimble 40 mm or 76 mm

LABEL SENSOR

Optical (optional: sensor for transparent labels)

**MAXIMUM
CAPACITY**

Up to 100 products per minute

**PRODUCT
DIAMETER**

Ø 30-100 mm

INTREX SMART PANEL

Control panel integrated with labelling head, 16 labelling programs memory

CONVEYOR

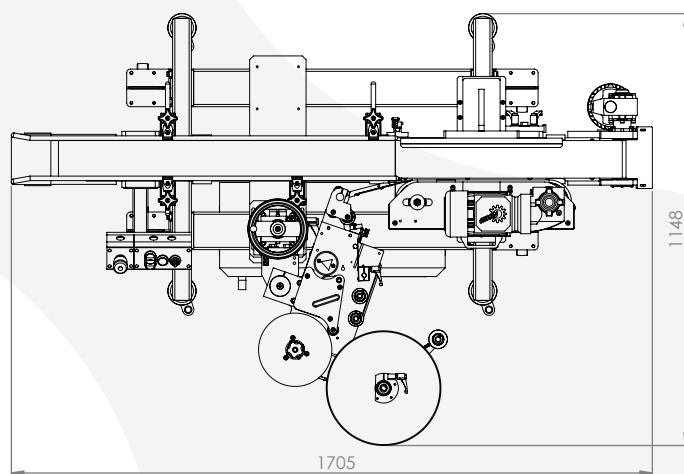
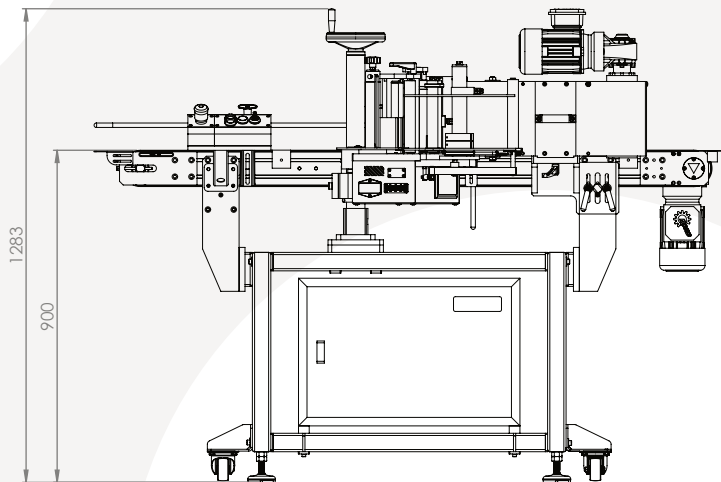
Belt conveyor (width 100 mm, length 1500 mm)

SIDE BELT

Foam (width 90 mm, length 400 mm)

POWER SUPPLY

230 VAC, 50 Hz



The real maximum labelling speed depends on the label, capacity, type of the labelled product and the kind of application.
The label feeding precision depends on the label and the labelled product properties.

