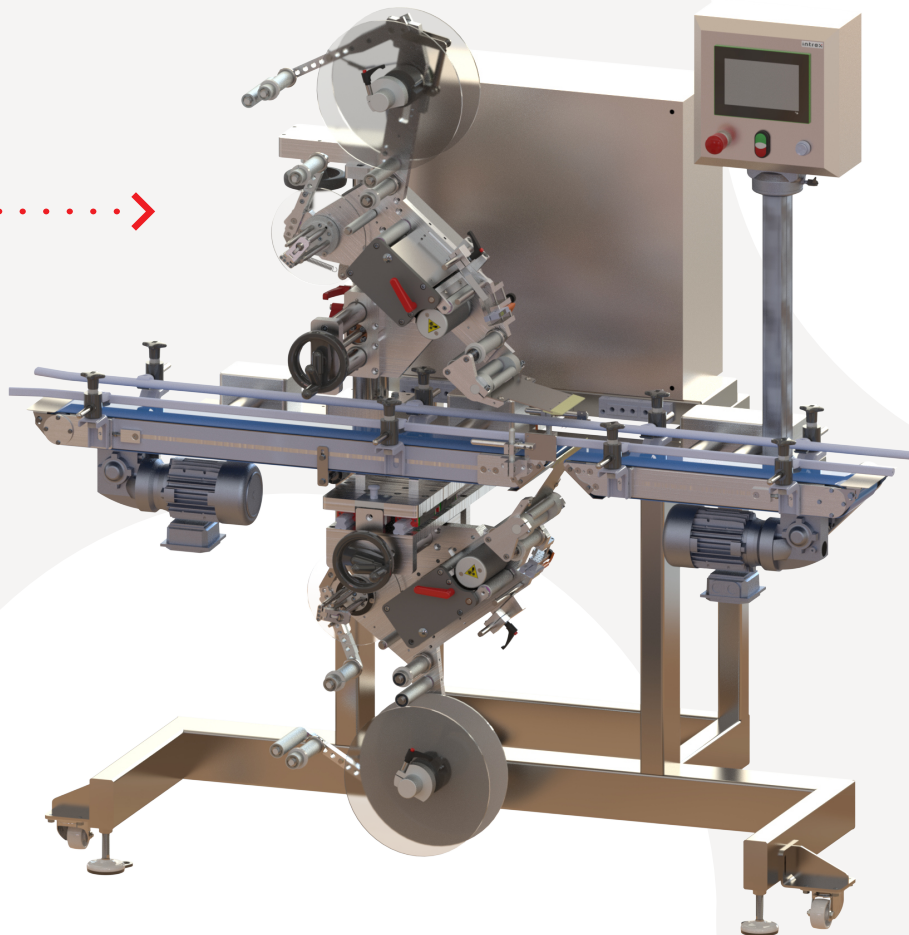
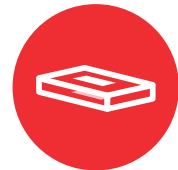




INTREX SET 2702 PLUS LABELLING SYSTEM

TOP AND BOTTOM LABELLING SYSTEM

- A solution for labelling trays, blisters, boxes, etc.,
- Capacity up to 100 products per minute,
- High labelling precision,
- Can work as a standalone unit or as a part of production line,
- Frame equipped with castors for easy machine relocation,
- Solution can be integrated with inkjet, TTO or laser printers for label or product marking.



The real maximum labelling speed depends on the label, capacity, type of the labelled product and the kind of application. The label feeding precision depends on the label and the labelled product properties.

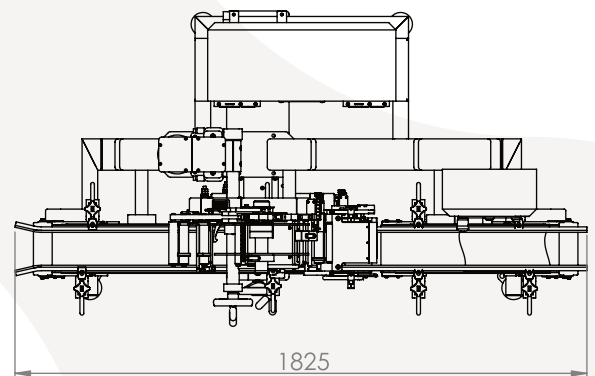
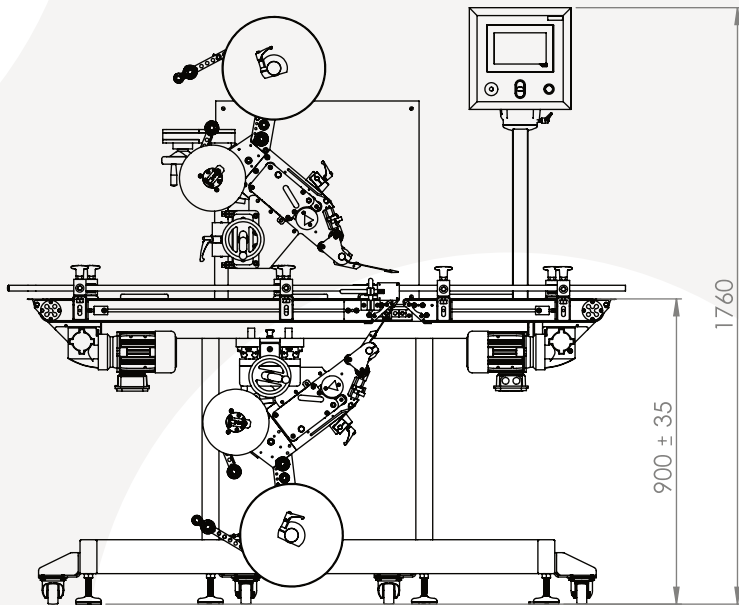




PARAMETER

INTREX SET 2702 PLUS

LABELLING HEAD	INTREX 100+90 300	INTREX 100+160 300
MAXIMUM LABEL WIDTH	90 mm	160 mm
MAXIMUM LABEL ROLL DIAMETER	300 mm (optional: 350 mm)	
LABEL SENSOR	Optical (optional: ultrasonic for transparent labels)	
MAXIMUM CAPACITY	Up to 100 product per minute	
PRODUCT WIDTH RANGE	Ø 30-200 mm	
CONTROL SYSTEM	Intrex SMART Panel - intuitive control panel. Allows you to control all machine parameters from one place.	
CONVEYOR	Belt conveyor, width 200 mm, length 2000 mm (optional: wider belt for different range of products).	
OPTIONAL MODULES	Thermal-transfer printer bracket, Ink-jet printer mounting	
POWER SUPPLY	230 VAC, 50 Hz	



The real maximum labelling speed depends on the label, capacity, type of the labelled product and the kind of application.
 The label feeding precision depends on the label and the labelled product properties.

